

4MP Fisheye Fixed Dome Network Camera

RS-IPC2R34P-I1DKBF1.6



Key Features

Optics

- Ultra wide angle lens, 180° panoramic image
- Smart IR, Up to 10 m (33ft) IR distance 2D/3D DNR (Digital Noise Reduction)

Compression

- Ultra265, H.264, MJPEG
- Triple stream (3 panoramic view)

Network

- ONVIF Conformance

Structure

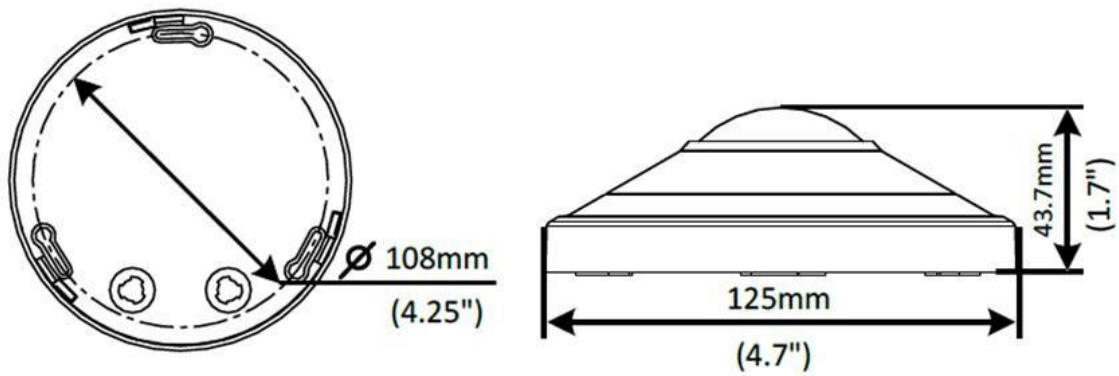
- Support PoE power supply
- Wide temperature range: -40°C to 60°C (-40°F to 140°F) Wide voltage range of ±25%
- IK10 IP66

Specifications

RS-IPC2R34P-I1DKBF1.6					
Camera					
Image sensor	1/3", progressive scan, 4.0 megapixel, CMOS				
Lens	1.6mm@ F1.6				
DORI Distance	Lens	Detect(m)	Observe(m)	Recognize(m)	Identify(m)
	1.6mm	36	14.4	7.2	3.6
Angle of View	180°				
Shutter	Auto/Manual, shutter time : 1~1/100000s				
Minimum Illumination	Colour: 0.01 Lux (F1.6, AGCON) 0 Lux with IR				
Day / Night	IR-cut filter for day & night function				
Digital noise reduction	2D/3D DNR				
S/N Ratio	>55dB				
IR Range	UP to 10m(33 ft)				
Defog	Digital Defog				
WDR	120dB				
Video					
Compression	Ultra265, H.264, MJPEG				
H.264 code profile	Baseline profile, Main Profile, HighProfile				
Frame Rate	Main Stream : (2560×1440) : Max.25fps; Sub Stream: (1920×1080) : Max.25fps; Third Stream: D1(720 x 576):Max.25fps				
BLC	Supported				
OSD	Up to 8 OSDs				
Privacy Mask	Up to 8 areas				
ROI	Up to 8 areas				
Motion Detection	Up to 4 areas				
General Function	Watermark, IP Address Filtering, Tampering Alarm, Access Policy, ARP Protection, RTSP Authentication, User Authentication				
Storage					
Edge Storage	Micro SD, up to 256GB				
Network Storage	ANR				
Network					
Protocols	IPv4, IGMP, ICMP, ARP, TCP, UDP, DHCP, PPPoE, RTP, RTSP, RTCP, DNS, DDNS, NTP, FTP, UPnP, HTTP, HTTPS, SMTP, 802.1x, SNMP				
Compatible Integration	ONVIF(Profile S, Profile G, Profile T), API				
Live View Display					
Mount Type	Support table, wall, and ceiling				
Interface					
Network	1 RJ45 10M/100M Base-TX Auto-adaptive Ethernet				
Video Output	1 BNC				
General					
Power	DC12V±25%,PoE(IEEE 802.3af)				

	Power consumption: Max. 11 W
Dimensions (Ø x H)	Ø125x 43.7 mm (Ø4.9" x 1.7")
Weight	0.39kg(0.86lb)
Working Environment	-40°C ~60°C (-40°F ~ 140°F), Humidity :10%~95%RH
Ingress Protection	IP66
Vandal Resistant	IK10
Reset Button	Supported

Dimensions



Royal Engineering Consultancy Pvt. Ltd
 Web: <https://royalshield.in>
 Email id: sales@royalshield.in
 Mob No. 8377948862