

4MP SD Card Mini Fixed Bullet Network Camera

RS-IPC3N24P-I3DEF4



Key Features



Optics

- Day/night functionality
- Smart IR, up to 30m (98ft) IR distance
- Optical glass window with higher light transmittance
- IR anti-reflection window to increase the infrared transmittance 2D/3D DNR (Digital Noise Reduction)
- SD Card

Compression

- Ultra 265, H.265, H.264, MJPEG
- Triple streams
- 9:16 corridor format

Network

- ONVIF Conformance

Structure

Wide temperature range: -35°C ~ 60°C (-31°F ~ 140°F)

Wide voltage range of ±25% IP67

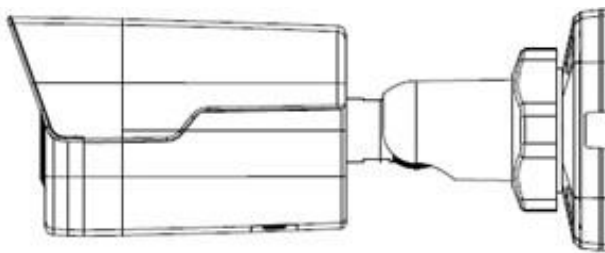
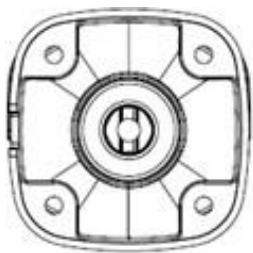
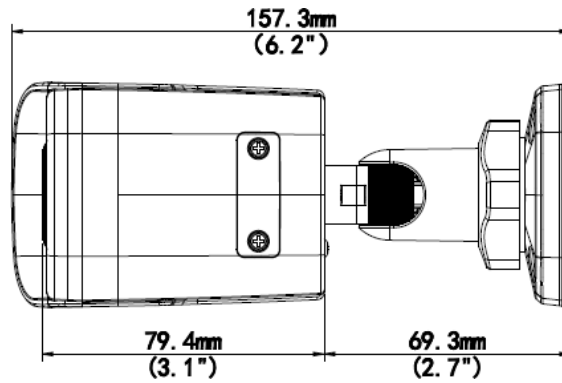
3-Axis

Specifications

	RS-IPC3N24P-I3DEF4	RS-IPC3N24P-I3DEF6			
Camera					
Sensor	1/3", 4.0 megapixel, progressive scan, CMOS				
Lens	4.0mm@F2.0		6.0mm@F2.0		
DORI Distance	Lens (mm)	Detect (m)	Observe (m)	Recognize (m)	Identify (m)
	4.0	90	36	18	9
	6.0	135	54	27	13.5
Angle of View (H)	78.9°		49.9°		
Angle of View (V)	39.6°		27°		
Angle of View (O)	97.1°		61.4°		
Adjustment angle	Pan: 0° ~ 360°		Tilt: 0° ~ 90°		Rotate: 0° ~ 360°
Shutter	Auto/Manual, 1 ~ 1/100000s				
Minimum Illumination	Colour: 0.03Lux (F2.0, AGC ON) 0Lux with IR on				
Day/Night	IR-cut filter with auto switch (ICR)				
S/N	>52dB				
IR Range	Up to 30m (98ft) IR range				
wavelength	850nm				
IR On/Off Control	Auto/Manual				
Defog	Digital Defog				
WDR	120dB				
Video					
Video Compression	Ultra 265, H.265, H.264, MJPEG				
H.264 code profile	Baseline profile, Main Profile, High Profile				
Frame Rate	Main Stream: 4MP (2592*1520), Max 20fps; 4MP (2560*1440), Max 25fps; 3MP (2048*1520), Max 30fps; Sub Stream: 2MP (1920*1080), Max 30fps; Third Stream: D1 (720*576), Max 30fps				
Video Bit Rate	128 Kbps~16 Mbps				
9:16 Corridor Mode	Supported				
OSD	Up to 8 OSDs				
Privacy Mask	Up to 8 areas				
ROI	Up to 8 areas				
Motion Detection	Up to 4 areas				

Image		
White Balance	Auto/Outdoor/Fine Tune/Sodium Lamp/Locked/Auto2	
Digital noise reduction	2D/3D DNR	
Smart IR	Support	
Flip	Normal/Vertical/Horizontal/180°/90°Clockwise/90°Anti-clockwise	
Dewarping	Support	
HLC	Support	
BLC	Support	
Storage		
Edge Storage	Micro SD, up to 256GB	
Network Storage	ANR, NAS(NFS)	
Network		
Protocols	IPv4, IGMP, ICMP, ARP, TCP, UDP, DHCP, PPPoE, RTP, RTSP, RTCP, DNS, DDNS, NTP, FTP, UPnP, HTTP, HTTPS, SMTP, 802.1x, SNMP, QoS	
Compatible Integration	ONVIF (Profile S, Profile G, Profile T), API	
Web Browser	Plug-in required live view: IE9+, Chrome 41 and below, Firefox 52 and below	
	Plug-in free live view: Chrome 57.0+, Firefox 58.0+, Edge 16+, Safari 11+	
Interface		Interface
Network	1 RJ45 10M/100M Base-TX Ethernet	
Certifications		
Certifications	CE, FCC	
Power		
Power	DC 12V±25%,PoE (IEEE 802.3af)	
	Power consumption: Max 6.5W	
Dimensions (L × W × H)	157.3×62.4×63mm(6.2" ×2.5" ×2.5")	
Net Weight	0.45kg (0.99lb)	
Material	Metal	
Working Environment	-35°C ~ 60°C (-31°F ~ 140°F), Humidity: ≤95%RH(non-condensing)	
Storage Environment	-35°C ~ 60°C (-31°F ~ 140°F), Humidity: ≤95%RH(non-condensing)	
surge protection	2KV	
Ingress Protection	IP67	
Reset Button	Supported	

Dimensions



Accessories

TR-JB05-A-IN



TR-A01-IN



TR-UP06-B-IN



TR-UP06-C-IN



Royal Engineering Consultancy Pvt. Ltd
<https://royalshield.in>
Email id : sales@royalshield.in
Mob No. 8377948862