

# 4MP VNetwork IRBullet Camera

**RS-IPC3N24P-I3DEZ12.8**



## Key Features

### Optics

- Day/night functionality
- SmartIR, up to 30m (98 ft) IR distance
- Up to 120 dB Optical WDR(Wide Dynamic Range) 2D/3D DNR(Digital Noise Reduction)

### Compression

- Ultra 265,H.265, H.264, MJPEG
- Embedded smart algorithm Triple streams
- ROI(Region of Interest) 9:16 corridor mode

- Customized OSD

## Network

- ONVIF Conformance

## Structure

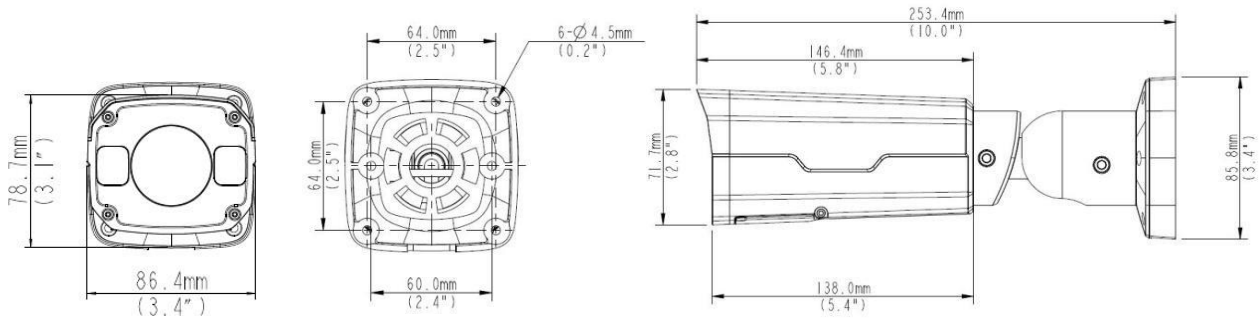
- Wide temperature range: -35°C to 60°C (-31°F to 140°F)
- Wide voltage range of ±25% IP67
- 3-Axis

## Specifications

IPC2324EBR-DP					
Camera					
Sensor	1/3", progressive scan, 4.0megapixel, CMOS				
Lens	2.8~12mm@F1.4				
DORI Distance	Lens	Detect(m)	Observe(m)	Recognize(m)	Identify(m)
	2.8mm	63	25.2	12.6	6.3
	12mm	270	108	54	27
Angle of View(H)	91° ~ 27°				
Angle of View(V)	54.4°~13.7°				
Angle of View(O)	118.3°~33.2°				
Adjustment angle	Pan: 0°~360°		Tilt: 0°~90°		Rotate: 0°~360°
Shutter	Auto/Manual, 1~1/100000s				
Minimum Illumination	Colour: 0.005Lux (F1.4, AGCON) 0Lux with IRon				
Day/Night	IR-cut filter with autoswitch (ICR)				
Digital noise reduction	2D/3D DNR				
S/N	>52dB				
IR Range	Up to 30m (98 ft) IRrange				
Defog	Digital Defog				
WDR	120dB				
Video					
Video Compression	Ultra 265,H.265,H.264,MJPEG				
Frame Rate	Main Stream:4MP (2592×1520): Max. 20 fps, 4MP (2560×1440): Max. 25 fps, 3MP (2048×1520): Max. 30fps; SubStream:2MP (1920×1080): Max. 30 fps; Third Stream:D1(720×576) : Max. 30fps				

<b>9:16 Corridor Mode</b>	<b>Supported</b>
HLC	Supported
BLC	Supported
OSD	Up to 8 OSDs
Privacy Mask	Up to 8 areas
ROI	Up to 8 areas
Motion Detection	Up to 4 areas
<b>Smart</b>	
Behavior Detection	Intrusion, cross line, motion detection
Intrusion	Enter and loiter in a pre-defined virtual region
cross line	Cross a pre-defined virtual line
motion detection	Moving within a pre-defined virtual region
Recognition	Face detection, Audio detection
Intelligent Identification	Defocus, Scene Change, Object Left, Object Moving
Intelligent Identification	Face detection, Defocus, Scene Change
Statistical Analysis	People counting
General Function	Watermark, IP Address Filtering, Tampering Alarm, Alarm input, Alarm output, Access Policy, ARPProtection, RTSP Authentication, User Authentication
<b>Audio</b>	
Audio Compression	G.711
Two-way audio	Supported
Suppression	Supported
Sampling Rate	8 KHZ
<b>Storage</b>	
Edge Storage	Micro SD, up to 256GB
Network Storage	ANR
<b>Network</b>	
Protocols	IPv4, IGMP, ICMP, ARP, TCP, UDP, DHCP, PPPoE, RTP, RTSP, RTCP, DNS, DDNS, NTP, FTP, UPnP, HTTP, HTTPS, SMTP, 802.1x, SNMP, SSL
Compatible Integration	ONVIF(Profile S, Profile G, Profile T), API
<b>Interface</b>	
Audio I/O	Audio cable
	Input: impedance 35 kΩ; amplitude 2 V[p-p]
	Output: impedance 600 Ω; amplitude 2 V[p-p]
Alarm I/O	1/ 1
Network	1 RJ45 10M/100M Base-TX Ethernet
Video Output	1 BNC, impedance 75 Ω; amplitude 1 V[p-p]
<b>General</b>	
Power	12 VDC±25%, PoE (IEEE802.3 af)
	Power consumption: Max 9W
Dimensions (L×W×H)	253.4×86×71.7 mm (9.98"×3.4"×2.8")
Weight	1.0kg (2.2lb)
Working Environment	-35°C~+60°C(-31°F~140°F), Humidity: 10%~95% RH(non-condensing)
Ingress Protection	IP67

## Dimensions



Royal Engineering Consultancy Pvt.Ltd

Web: <https://royalshield.in>  
Email id: [sales@royalshield.in](mailto:sales@royalshield.in)  
Mob No. 8377948862