

# 4MP MiniFixed Bullet Network Camera

RS-IPC3N24P-I3SDF4



## Key Features

### Optics

- Day/night functionality
- SmartIR ,up to 30 m (98 ft) IR distance
- Optical glass window with higher light transmittance
- IR anti-reflection window to increase the infrared transmittance 2D/3D DNR (Digital Noise Reduction)

### Compression

- Ultra 265,H.265, H.264, MJPEG
- Embedded smart algorithm Triple streams
- 9:16 corridor format

### Network

- ONVIF Conformance

### Structure

- Wide temperature range: -35°C to 60°C (-31°F to 140°F)

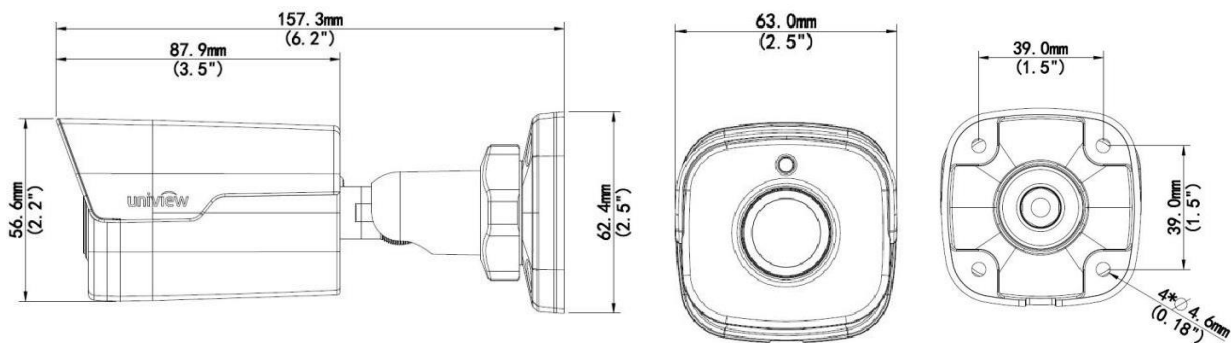
- Wide voltage range of  $\pm 25\%$
- IP67
- 3-Axis

## Specifications

	RS-IPC3N24P-I3SDF4	RS-IPC3N24P-I3SDF6
<b>Camera</b>		
Sensor	1/3", 4.0 megapixel, progressive scan, CMOS	
Lens	<u>4.0mm@F2.0</u>	<u>6.0mm@F2.0</u>
Angle of View(H)	78.9°	49.9°
Angle of View (V)	39.6°	27°
Angle of View (O)	97.1°	61.4°
Adjustment angle	Pan: 0°~360°	Tilt: 0°~90° Rotate: 0°~360°
Shutter	Auto/Manual, 1~1/100000s	
Minimum Illumination	Colour: 0.03 Lux (F2.0, AGCON) 0 Lux with IR on	
Day/Night	IR-cut filter with auto switch(ICR)	
Digital noise reduction	2D/3D DNR	
S/N	>52dB	
IR Range	Up to 30m (98 ft) IR range	
Defog	Digital Defog	
WDR	120dB	
<b>Video</b>		
Video Compression	Ultra 265, H.265, H.264, MJPEG	
H.264 code profile	Baseline profile, Main Profile, High Profile	
Frame Rate	Main Stream: 4MP (2592×1520): Max. 20 fps, 4MP (2560×1440): Max. 25 fps, 3MP (2048×1520): Max. 30 fps; Sub Stream: 2MP (1920×1080): Max. 30 fps; Third Stream: D1(720×576) : Max. 30fps	
9:16 Corridor Mode	Supported	
HLC	Supported	
BLC	Supported	
OSD	Up to 8 OSDs	
Privacy Mask	Up to 8 areas	
ROI	Up to 8 areas	
Motion Detection	Up to 4 areas	
<b>Smart</b>		
Behavior Detection	Intrusion, cross line, motion detection	
Intrusion	Enter and loiter in a pre-defined virtual region	
cross line	Cross a pre-defined virtual line	
motion detection	Moving within a pre-defined virtual region	
Recognition	Face detection, Audio detection	
Intelligent Identification	Defocus, Scene Change, Object Left, Object Moving	

<b>Statistical Analysis</b>	<b>People counting</b>
General Function	Watermark, IP Address Filtering, Tampering Alarm, Alarm input, Alarm output, Access Policy, ARP Protection, RTSP Authentication, User Authentication
Audio	
Audio Compression	G.711
Suppression	Supported
Sampling Rate	8 KHZ
Network	
Protocols	IPv4, IGMP, ICMP, ARP, TCP, UDP, DHCP, PPPoE, RTP, RTSP, RTCP, DNS, DDNS, NTP, FTP, UPnP, HTTP, HTTPS, SMTP, 802.1x, SNMP
Compatible Integration	ONVIF(Profile S, Profile T), API
Interface	
Alarm I/O	1/ 1
Built-in Mic	Supported
Network	1 RJ45 10M/100M Base-TX Ethernet
General	
Power	12 V DC±25%,PoE (IEEE802.3af)
	Power consumption: Max 6W
Dimensions (L x W x H)	157.3 x 62.4 x63 mm(6.2" x 2.5" x 2.5")
Weight	0.45 kg (0.99lb)
Working Environment	-35°C ~ +60°C (-31°F ~ 140°F), Humidity :10%~95%RH(non-condensing)
Ingress Protection	IP67
Reset Button	Supported

## Dimensions



Royal Engineering Consultancy Pvt.Ltd  
 Web: <https://royalshield.in>  
 Email id: [sales@royalshield.in](mailto:sales@royalshield.in)  
 Mob No. 8377948862