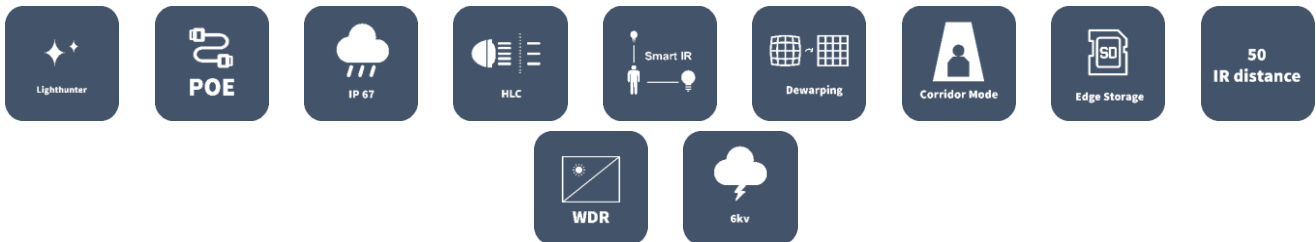


5MP WDR LightHunter (Motorized) VF Network IR Bullet Camera

RS-IPC3N25P-I5DULZ22.7



Key Features



Optics

- LightHunter
- Day/night functionality
- Smart IR, up to 50m (164ft) IR distance
- Up to 120 dB Optical WDR (Wide Dynamic Range) 2D/3D DNR (Digital Noise Reduction)

Compression

- Ultra 265, H.265, H.264, MJPEG
- Triple streams
- ROI (Region of Interest) 9:16 corridor mode
- Customized OSD

Network

- ONVIF Conformance

Structure

- Support PoE power supply
- Wide temperature range: -35°C ~ 60°C (-31°F ~ 140°F) Wide voltage range of ±25%
- IP67
- 3-Axis

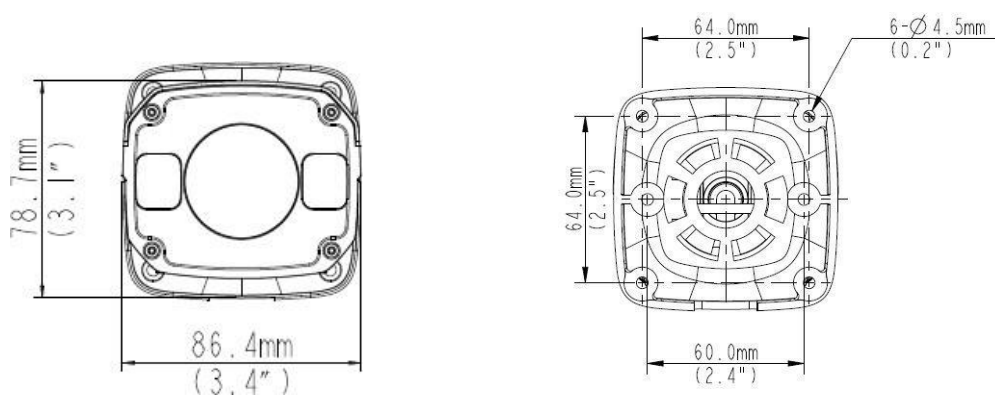
Specifications

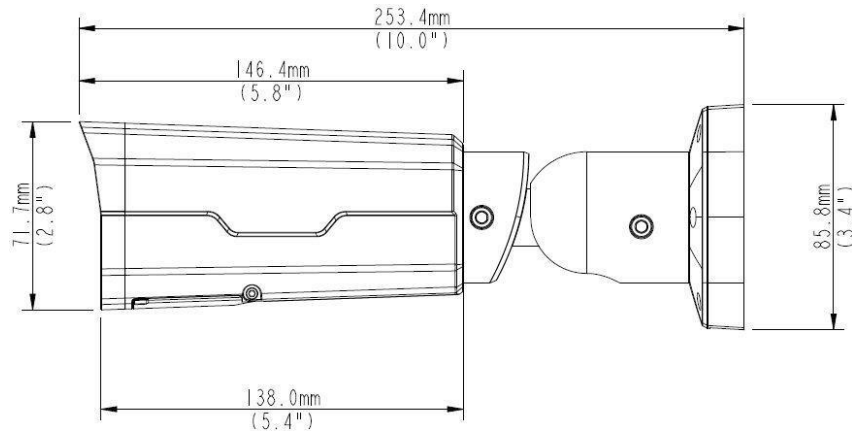
RS-IPC3N25P-15DULZ22.7					
Camera					
Sensor	1/2.7", 5.0 megapixel, progressive scan, CMOS				
Lens	2.7 ~ 13.5mm, AF automatic focusing and motorized zoom lens				
DORI Distance	Lens (mm)	Detect (m)	Observe (m)	Recognize (m)	Identify (m)
	2.7	60.8	24.3	12.2	6.1
	13.5	303.8	121.5	60.8	30.4
Angle of View (H)	93.38° ~ 28.56°				
Angle of View (V)	88° ~ 16.4°				
Angle of View (O)	121.4° ~ 33.7°				
Adjustment angle	Pan: 0° ~ 360°		Tilt: 0° ~ 90°		Rotate: 0° ~ 360°

Shutter	Auto/Manual, shutter time: 1 ~ 1/100000s
Minimum Illumination	Colour: 0.002Lux (F1.2, AGC ON) 0Lux with IR on
Day/Night	IR-cut filter with auto switch (ICR)
S/N	>52 dB
IR Range	Up to 50m (164ft) IR range
wavelength	850nm
IR On/Off Control	Auto/Manual
Defog	Digital Defog
WDR	120dB
Video	
Video Compression	Ultra 265, H.265, H.264, MJPEG
H.264 code profile	Baseline profile, Main Profile, High Profile
Frame Rate	Main Stream: 5MP (2592*1944), Max 20fps; 5MP (2592*1944), Max 25fps (WDR OFF); 4MP (2560*1440), Max 30fps; 3MP (2048*1536), Max 30fps; 2MP (1920*1080), Max 30fps; Sub Stream: 2MP (1920*1080), Max 30fps; Third Stream: D1 (720*765), Max 30fps
Video Bit Rate	128 Kbps~16 Mbps
9:16 Corridor Mode	Supported
OSD	Up to 8 OSDs
Privacy Mask	Up to 8 areas
ROI	Up to 8 areas
Motion Detection	Up to 4 areas
Image	
White Balance	Auto/Outdoor/Fine Tune/Sodium Lamp/Locked/Auto2
Digital noise reduction	2D/3D DNR
Smart IR	Support
Flip	Normal/Vertical/Horizontal/180°/90°Clockwise/90°Anti-clockwise
Dewarping	Support
HLC	Support
BLC	Support
Smart	
General Function	Watermark, IP Address Filtering, Tampering Alarm, Alarm input, Alarm output, Access Policy, ARP Protection, RTSP Authentication, User Authentication
Audio	
Audio Compression	G.711
Two-way audio	Supported
Suppression	Supported
Sampling Rate	8KHZ
Storage	
Edge Storage	Micro SD, up to 256GB
Network Storage	ANR, NAS(NFS)
Network	
Protocols	IPv4, IGMP, ICMP, ARP, TCP, UDP, DHCP, PPPoE, RTP, RTSP, RTCP, DNS, DDNS, NTP, FTP, UPnP, HTTP, HTTPS, SMTP, 802.1x, SNMP, QoS






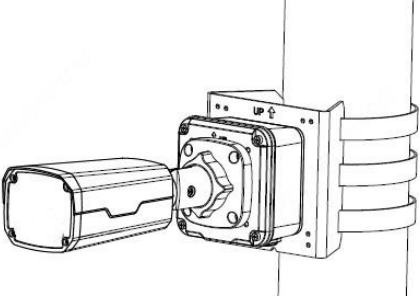
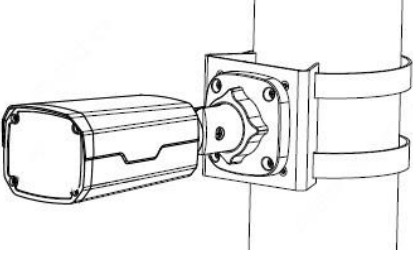
Compatible Integration	ONVIF (Profile S, Profile G, Profile T), API
Web Browser	Plug-in required live view: IE9+, Chrome 41 and below, Firefox 52 and below
	Plug-in free live view: Chrome 57.0+, Firefox 58.0+, Edge 16+, Safari 11+
Interface	
Audio I/O	Input: impedance 35kΩ; amplitude 2V [p-p]
	Output: impedance 600Ω; amplitude 2V [p-p]
Alarm I/O	1/1
Network	1 RJ45 10M/100M Base-TX Ethernet
Certifications	
Certifications	CE, FCC
Power	DC 12V±25%, PoE (IEEE 802.3af)
	Power consumption: Max 10W
Dimensions (L × W × H)	253.4×86×71.7mm (9.98" ×3.4" ×2.8")
Net Weight	1.0kg (2.2lb)
Material	Metal
Working Environment	-35°C ~ 60°C (-31°F ~ 140°F), Humidity: ≤95%RH(non-condensing)
Storage Environment	-35°C ~ 60°C (-31°F ~ 140°F), Humidity: ≤95%RH(non-condensing)
surge protection	6KV
Ingress Protection	IP67

Dimensions





Accessories

<p>TR-JB07-D-IN</p> 	<p>TR-JB06-A-IN</p> 	<p>TR-UP06-B-IN</p> 	<p>TR-UP06-C-IN</p> 
<p>TR-A01-IN</p> 			
<p>Junction Mount</p>		<p>Pole Mount</p>	
<p>TR-JB07-D-IN(TR-JB06-A-IN)+ TR-UP06-C-IN</p>		<p>TR-UP06-B-IN</p>	
			

Royal Engineering Consultancy Pvt. Ltd

Web: <https://royalshield.in>

Email id :sales@royalshield.in

Mob No. 8377948862