

4MP WDR Network IR Fixed Dome Camera

RS-IPC3N34P-I1DKZ12.8



Key Features

Optics

- Day/night functionality
- Smart IR, up to 30m (98 ft) IR distance
- Up to 120 dB Optical WDR(Wide Dynamic Range) Lowlight surveillance
- 3D DNR (Digital Noise Reduction)

Compression

- H.265
- Triple streams
- ROI (Region of Interest) 9:16 corridor mode

Network

- ONVIF Conformance

Structure

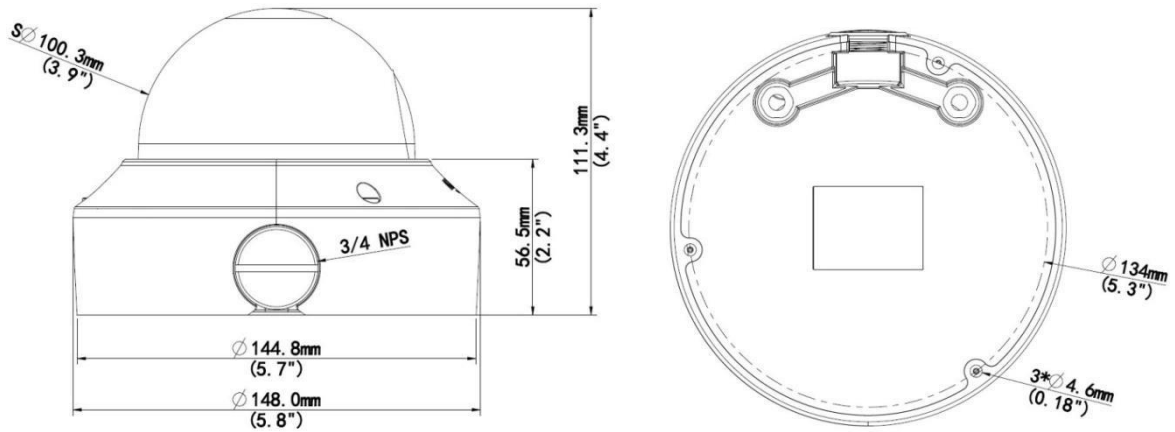
- Support PoE power supply
- Built-in PoE splitter that outputs DC 12V
- Wide temperature range: -40°C to 60°C (-40°F to 140°F) Wide voltage range of $\pm 25\%$
- IK10 vandal resistant
- IP66

Specifications

RS-IPC3N34P-I1DKZ12.8	
Camera	
Sensor	1/3", 4.0 megapixel, progressive scan CMOS
Shutter	Auto/Manual, 1/6~1/8000 s
Lens	2.8~12 mm@F1.6; Angle of View (H): 95° (wide) ~29° (tele)
Zoom/Focus	Manual
Min. Illumination	Colour: 0.02 Lux (F1.6, AGC ON) 0 Lux with IR on
Day/Night	IR-cut filter with auto switch (ICR)
IR Range	Up to 30m (98 ft) IR range
S/N	>55 dB
WDR	Optical WDR (up to 120 dB)
Video	
Max. Resolution	2592 × 1520
Video Compression	H.265,H.264,MJPEG
Frame Rate	4MP (2592×1520): Max. 20 fps; 4MP (2560×1440): Max. 25 fps 3MP (2048×1520): Max. 30 fps; 1080P (1920×1080): Max. 30 fps
9:16 Corridor Mode	Supported
ROI	Supported
Video Streaming	Triple
OSD	Up to 8 OSDs
Privacy Mask	Up to 4 areas
Audio	
Audio Compression	G.711
Two-way audio	Supported
Storage	
Edge Storage	Micro SD, up to 128 GB
Network	
Protocols	L2TP, IPv4, IGMP, ICMP, ARP, TCP, UDP, DHCP, PPPoE, RTP, RTSP, Qos, NTP, FTP, HTTP, SNMP, SIP
Compatible Integration	ONVIF, API
Interface	
Audio I/O	Audio cable
	Input: impedance 35 kΩ; amplitude 2V [p-p]
	Output: impedance 600 Ω; amplitude 2 V [p-p]
Alarm I/O	1/ 1
Network	1 RJ45 10M/100M Base-TX Ethernet
Video Output	1 BNC, impedance 75 Ω; amplitude 1V [p-p]
Reset	1 Reset Button
Power Output	DC12V Power Output With PoE
General	
Power	12 V DC, or PoE (IEEE802.3 af)
	Power consumption: Max.6.6 W (PoE :Max.7.2 W)

Dimensions (Ø x H)	Φ148 x 111.3 mm (Ø5.8" x 4.4")
Weight	0.75 kg (1.7 lb)
Working Environment	-40°C ~ +60°C (-40°F ~ 140°F), Humidity ≤95% RH (non-condensing)
Vandal Resistant	IK10
Ingress Protection	IP66

Dimensions



Accessories

Installation mode	Accessories	Description
Ceiling mount	Mounting pedestal is included in the product package	For indoor ceiling installation

Royal Engineering Consultancy Pvt. Ltd

Web: <https://royalshield.in>
 Email id : sales@royalshield.in
 Mob No. 8377948862