

2MP WDR (Motorized) VF Eyeball Network IR Camera

RS-IPC3T32P-I3DEZ22.7



Key Features



Optics

- Day/night functionality
- Optical glass window with higher light transmittance
- IR anti-reflection window to increase the infrared transmittance Smart IR, up to 30m (98ft) IR distance
- 2D/3D DNR (Digital Noise Reduction)

Compression

- Ultra 265, H.264, MJPEG
- Triple streams
- 9:16 corridor mode

Network

- ONVIF Conformance

Structure

- Support PoE power supply
- Wide temperature range: -40°C ~ 60°C (-40°F ~ 140°F) Wide voltage range of ±25%
- IP67
- 3-Axis

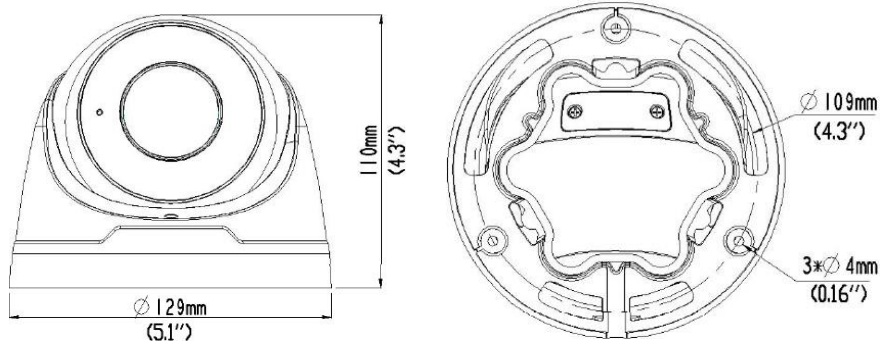
Specifications

RS-IPC3T32P-I3DEZ22.7																
Camera																
Sensor	1/2.8", 2.0 megapixel, progressive scan, CMOS															
Lens	2.8 ~ 12mm, AF automatic focusing and motorized zoom lens															
DORI Distance	<table border="1"> <thead> <tr> <th>Lens (mm)</th> <th>Detect (m)</th> <th>Observe (m)</th> <th>Recognize (m)</th> <th>Identify (m)</th> </tr> </thead> <tbody> <tr> <td>2.8</td> <td>45</td> <td>18</td> <td>9</td> <td>4.5</td> </tr> <tr> <td>12</td> <td>192.9</td> <td>77.1</td> <td>38.6</td> <td>19.3</td> </tr> </tbody> </table>	Lens (mm)	Detect (m)	Observe (m)	Recognize (m)	Identify (m)	2.8	45	18	9	4.5	12	192.9	77.1	38.6	19.3
	Lens (mm)	Detect (m)	Observe (m)	Recognize (m)	Identify (m)											
	2.8	45	18	9	4.5											
12	192.9	77.1	38.6	19.3												
Angle of view (H)	94.0° ~ 28°															
Angle of View (V)	56.7° ~ 14.4°															
Angle of View (O)	122.2° ~ 34.4°															
Adjustment angle	<table border="1"> <tr> <td>Pan: 0° ~ 360°</td> <td>Tilt: 0° ~ 90°</td> <td>Rotate: 0° ~ 360°</td> </tr> </table>	Pan: 0° ~ 360°	Tilt: 0° ~ 90°	Rotate: 0° ~ 360°												
Pan: 0° ~ 360°	Tilt: 0° ~ 90°	Rotate: 0° ~ 360°														
Shutter	Auto/Manual, 1 ~ 1/100000s															
Minimum Illumination	Colour: 0.002Lux (F1.6, AGC ON) 0Lux with IR															
Day/Night	IR-cut filter with auto switch (ICR)															
S/N	>52dB															
IR Range	Up to 30m (98ft) IR range															
wavelength	850nm															
IR On/Off Control	Auto/Manual															
Defog	Digital Defog															
WDR	120dB															
Video																
Video Compression	Ultra 265, H.264, MJPEG															
H.264 code profile	Baseline profile, Main Profile, High Profile															
Frame Rate	Main Stream: 2MP (1920*1080), Max 30fps; Sub Stream: 2MP (1920*1080), Max 30fps; Third Stream: D1 (720*576), Max 30fps															
Video Bit Rate	128 Kbps~16 Mbps															
9:16 Corridor Mode	Supported															
OSD	Up to 8 OSDs															

Privacy Mask	Up to 8 areas
ROI	Up to 8 areas
Motion Detection	Up to 4 areas
Image	
White Balance	Auto/Outdoor/Fine Tune/Sodium Lamp/Locked/Auto2
Digital noise reduction	2D/3D DNR
Smart IR	Support
Flip	Normal/Vertical/Horizontal/180°/90°Clockwise/90°Anti-clockwise
Dewarping	N\A
HLC	Support
BLC	Support
Audio	
Audio Compression	G.711
Suppression	Supported
Sampling Rate	8KHZ
Storage	
Edge Storage	Micro SD, up to 256GB
Network Storage	ANR, NAS(NFS)
Network	
Protocols	IPv4, IGMP, ICMP, ARP, TCP, UDP, DHCP, PPPoE, RTP, RTSP, RTCP, DNS, DDNS, NTP, FTP, UPnP, HTTP, HTTPS, SMTP, 802.1x, SNMP, QoS
Compatible Integration	ONVIF (Profile S, Profile G, Profile T), API
Web Browser	Plug-in required live view: IE9+, Chrome 41 and below, Firefox 52 and below
	Plug-in free live view: Chrome 57.0+, Firefox 58.0+, Edge 16+, Safari 11+
Interface	
Built-in Mic	Supported
Network	1 RJ45 10M/100M Base-TX Ethernet
Certifications	
Certifications	CE, FCC
Power	
Power	DC 12V±25%, PoE (IEEE 802.3af)
	Power consumption: Max 8.16W
Dimensions (Ø x H)	Φ129 x 110mm (Ø5.08" x 4.3")
Net Weight	0.67kg (1.48lb)
Material	Front cover : plastic Spherical upper shell : metal globe rear-cover : metal shell : metal base : metal
Working Environment	-40°C ~ 60°C (-40°F ~ 140°F), Humidity: ≤95% RH (non-condensing)
Storage Environment	-40°C ~ 60°C (-40°F ~ 140°F), Humidity: ≤95% RH (non-condensing)

surge protection	6KV
Ingress Protection	IP67
Reset Button	Supported

Dimensions



Accessories

TR-JB03-H-IN



TR-JB07/WM03-F-IN



TR-WM03-B-IN



TR-A01-IN



TR-UP06-IN



TR-SE24-IN


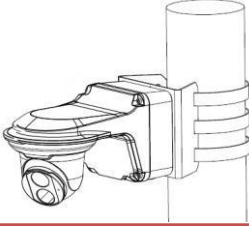
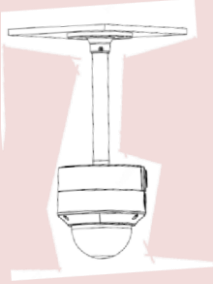


TR-SE24-A-IN



TR-CM24-IN



Junction box	Pole mount
TR-JB03-H-IN+TR-A01-IN	TR-JB07/WM03-F-IN (TR-WM03-B-IN)+ TR-UP06-IN
	
Indoor pendent mount	
TR-JB04-D-IN+TR-A01-IN+ TR-SE24-IN(TR-SE24-A-IN)+ TR-CM24-IN	
	

Royal Engineering Consultancy Pvt. Ltd
 Web: <https://royalshield.in>
 Email id: sales@royalshield.in
 Mob No. 8377948862