

2MP Fixed Dome Network Camera

RS-IPC3T34P-I3F2.8



Key Features

Optics

- Day/night functionality
- Optical glass window with higher light transmittance
- IR anti-reflection window to increase the infrared transmittance Smart IR, up to 30 m (98 ft) IR distance
- 2D/3D DNR (Digital Noise Reduction)

Compression

- Ultra 265,H.265, H.264, MJPEG
- Embedded smart algorithm Triple streams
- 9:16 corridor mode

Network

- ONVIF Conformance

Structure

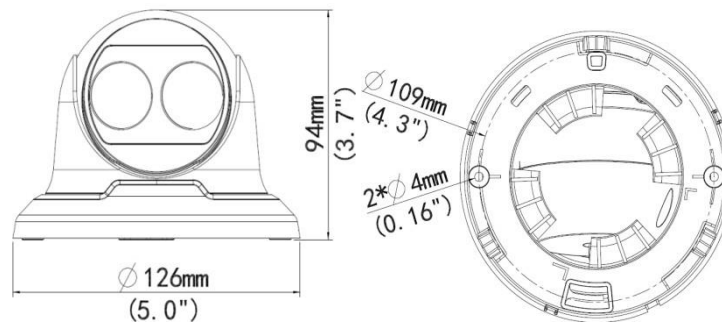
- Wide temperature range: -35°C to 60°C (-31°F to 140°F)
- Wide voltage range of $\pm 25\%$
- 4 KV surge protection designed for network interface IP67

Specifications

	RS-IPC3T34P-I3F2.8	RS-IPC3T34P-I3F4			
Camera					
Sensor	1/2.7", progressive scan, 2.0 megapixel, progressive scan, CMOS				
Lens	2.8mm@F1.6	4.0mm@F1.6			
DORI Distance	Lens	Detect(m)	Observe(m)	Recognize(m)	Identify(m)
	2.8mm	42	16.8	8.4	4.2
	4mm	60	24	12	6
Angle of view(H)	112.7°		86.5°		
Angle of View (V)	60.1°		44.1°		
Angle of View (O)	146.5°		106.4°		
Adjustment angle	Pan: 0°~360°	Tilt: 0°~90°		Rotate: 0°~360°	
Shutter	Auto/Manual, 1/6~1/100000 s				
Minimum Illumination	Colour: 0.005 Lux (F1.6, AGC ON) 0 Lux with IR				
Day/Night	IR-cut filter with auto switch (ICR)				
Digital noise reduction	2D/3D DNR				
S/N	>52dB				
IR Range	Up to 30m (98 ft) IR range				
Defog	Digital Defog				
WDR	DWDR				
Video					
Video Compression	Ultra 265,H.265, H.264, MJPEG				
H.264 code profile	Baseline profile, Main Profile, High Profile				
Frame Rate	Main Stream:2MP (1920×1080): Max. 30 fps; Sub Stream:2MP (1920×1080): Max. 30 fps; Third Stream:D1 (720×576): Max. 30 fps				
HLC	Supported				
BLC	Supported				
9:16 Corridor Mode	Supported				
OSD	Up to 8 OSDs				
Privacy Mask	Up to 8 areas				
ROI	Up to 8 areas				
Motion Detection	Up to 4 areas				
Smart					
Behavior Detection	Intrusion, cross line, motion detection				
Intrusion	Enter and loiter in a pre-defined virtual region				
cross line	Cross a pre-defined virtual line				
motion detection	Moving within a pre-defined virtual region				
Recognition	Face detection、 Audio detection				
Intelligent Identification	Defocus, Scene Change				
Statistical Analysis	People counting				
General Function	Watermark, IP Address Filtering, Tampering Alarm, Access Policy, ARP Protection, RTSP Authentication, User Authentication				

Network	
Protocols	IPv4, IGMP, ICMP, ARP, TCP, UDP, DHCP, PPPoE, RTP, RTSP, RTCP, DNS, DDNS, NTP, FTP, UPnP, HTTP, HTTPS, SMTP, 802.1x
Compatible Integration	ONVIF(Profile S), API
Interface	
Network	1 RJ4510M/100M Base-TX Ethernet
General	
Power	12 V DC±25%, PoE (IEEE802.3 af)
	Power consumption: Max 5.5W
Dimensions (∅ x H)	∅126 x 94 mm (∅5.0" x 3.7")
Weight	0.33 kg (0.73lb)
Working Environment	-35°C ~ +60°C (-31°F ~ 140°F), Humidity:10%~95% RH(non-condensing)
Ingress Protection	IP67

Dimensions



Accessories

Installation mode	Accessories	Description
Ceiling mount	Mounting pedestal is included in the product package	TR-JB03-C-IN junction box and TR-A01-IN waterproof joint for the junction is optional
Wall mount	TR-WM03-A-IN	For indoor wall installation, excluding junction box
	TR-JB07/WM03-A-IN (Or WM03-B-IN)	For outdoor wall installation, including junction box TR-A01-IN waterproof joint for the junction is optional
Pole mount	TR-WM03-A-IN + TR-UP06-IN	For indoor wall installation, excluding junction box
	TR-JB07/WM03-A-IN (Or WM03-B-IN)+TR-UP06-IN	For outdoor wall installation, including junction box

Royal Engineering Consultancy Pvt. Ltd

Web: <https://royalshield.in>
 Email id : sales@royalshield.in
 Mob No. 8377948862