

4K WDR Ultra-HD Vari-focal Bullet Network Camera

RS-IPC4N28E-I100DZ12.8



Key Features

Optics

- Day/night functionality
- Smart IR, up to up to 100m (328 ft) IR distance
- Up to 120 dB Optical WDR(Wide Dynamic Range) 3D DNR (Digital Noise Reduction)
- optical glass window with higher light transmittance

Compression

- H.265, H.264, MJPEG
- Triple streams
- ROI (Region of Interest) 9:16 corridor mode Customized OSD

Network

- ONVIF Conformance

Structure

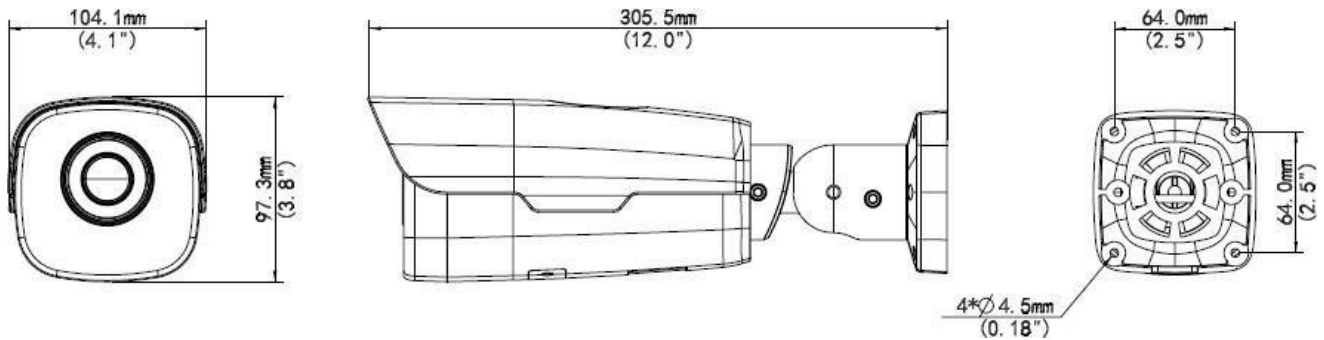
- Wide temperature range: -40°C to 60°C (-40°F to 140°F)
- Wide voltage range of $\pm 25\%$ IP67

Specifications

RS-IPC4N28E-I100DZ12.8	
Camera	
Sensor	1/2.5", 8 megapixel, progressive scan CMOS
Shutter	Auto/Manual, 1/6~1/100000s
Lens	2.8~12mm@F1.6, P-Iris
Angle of View (H)	93° (wide)~ 34° (tele)
Min. Illumination	Colour: 0.02 Lux (F1.6, AGC ON) 0 Lux with IR
Day/Night	IR-cut filter with auto switch(ICR)
IR Range	Smart-IR ,up to 100m (328ft) IR range
S/N	>55dB
WDR	True WDR 120dB
Video	
Max. Resolution	3840×2160
Video Compression	H.265, H.264, MJPEG
Frame Rate	4K (3840×2160): Max.30 fps; 1080P (1920×1080): Max. 30 fps
9:16 Corridor Mode	Supported
ROI	Supported
Video Streaming	Triple
OSD	Up to 8 OSDs
Privacy Mask	Up to 8 areas
Audio	
Audio Compression	G.711
Two-way audio	Supported
Storage	
Edge Storage	Micro SD, Up to 128GB
Network	
Protocols	L2TP, IPv4, IGMP, ICMP, ARP, TCP, UDP, DHCP, PPPoE, RTP, RTSP, RTCP, DNS, DDNS, NTP, FTP, UPnP, HTTP, HTTPS, SMTP, 802.1x
Compatible Integration	ONVIF, API
Interface	
Audio I/O	Audio cable
	1 Input: impedance 35 kΩ; amplitude 2 V [p-p]
	1 Output: impedance 600 Ω; amplitude 2 V [p-p]
Alarm I/O	2 / 1
Network	1 RJ45, 10M/100M Base-TX Ethernet
Video Output	1 BNC, impedance 75 Ω; amplitude 1 V [p-p]
Serial Port	1 RS485
Reset Button	Supported
General	
Power	DC12V±25%, AC24V±25% or PoE (IEEE802.3at)
	Power consumption: Max. 15W

Material	Cast aluminum
Dimensions (L × W × H)	305.5 × 104.1 × 97.3mm (12.0" × 4.1" × 3.8")
Weight	1.65 kg (3.6lb)
Working Environment	-40°C ~ +60°C (-40°F ~ 140°F), Humidity ≤ 95% RH (non-condensing)
Ingress Protection	IP67

Dimensions



Accessories

Installation mode	Accessories	Description
Wall mount	\	Mounting pedestal is included in the Product package
Ceiling mount	\	Mounting pedestal is included in the Product package
Rail mount	TR-UP06-A-IN	For outdoor rail installation
Pole mount	TR-UP06-A-IN	For outdoor pole installation

Royal Engineering Consultancy Pvt. Ltd
 Web: <https://royalshield.in>
 Email id : sales@royalshield.in
 Mob No. 8377948862