

2MP WDR Starlight AF Network IR Bullet Camera

RS-IPC4N32P-I9X4DEHULKZ32.8



Key Features

Optics

- Starlight illumination
- Up to 120dB WDR (Wide Dynamic Range) Smart IR, up to up to 100m (328ft) IR distance
Optical glass window with higher light transmittance
- IR anti-reflection window to increase the infrared transmittance Day/night functionality

Compression

- Ultra 265, H.265, H.264, MJPEG
- Triple streams
- ROI (Region of Interest) 9:16 corridor mode
- Customized OSD

Network

- ONVIF Conformance

Structure

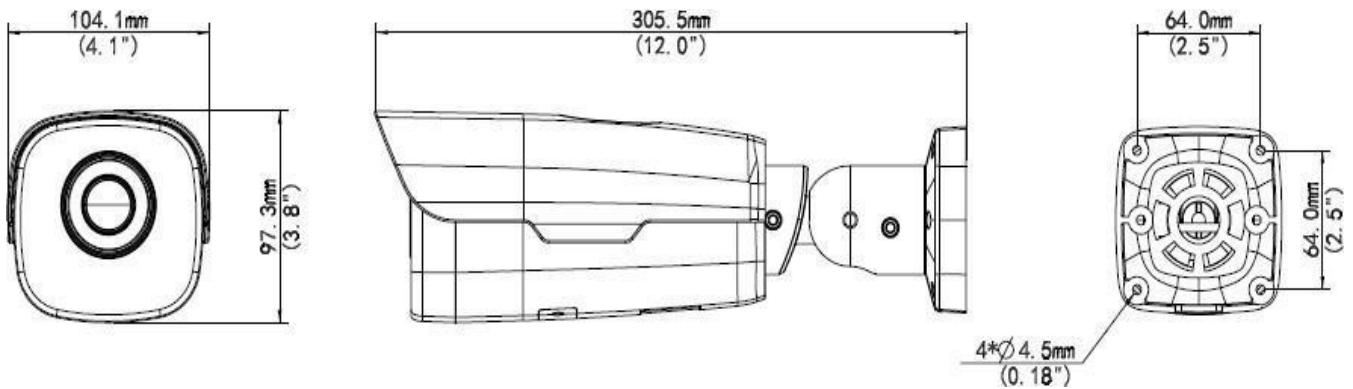
- Support PoE power supply
- Wide temperature range: -40°C ~ 60°C (-40°F ~ 140°F) Wide voltage range of $\pm 25\%$
- IP67
- 3-Axis

Specifications

| | | | | | |
|-------------------------|--|------------|----------------|---------------|-------------------|
| Camera | RS-IPC4N32P-I9X4DEHULKZ32.8 | | | | |
| Sensor | 1/1.8", 2.0 megapixel, progressive scan, CMOS | | | | |
| Lens | 2.8 ~ 12mm@F1.5(W) ~ F2.8(T); DC-Iris, AF automatic focusing and motorized zoom lens | | | | |
| Iris | DC-Iris | | | | |
| DORI Distance | Lens (mm) | Detect (m) | Observe (m) | Recognize (m) | Identify (m) |
| | 2.8 | 33.6 | 13.4 | 6.7 | 3.4 |
| | 12 | 144 | 57.6 | 28.8 | 14.4 |
| Angle of View (H) | 83.6° ~ 31.4° | | | | |
| Angle of View (V) | 45.8° ~ 17.9° | | | | |
| Angle of View (O) | 89.4° ~ 35.6° | | | | |
| Adjustment angle | Pan: 0° ~ 360° | | Tilt: 0° ~ 90° | | Rotate: 0° ~ 360° |
| Shutter | Auto/Manual, 1 ~ 1/100000s | | | | |
| Minimum Illumination | Colour: 0.0005Lux (F1.5, AGCON) 0Lux with IR | | | | |
| Day/Night | IR-cut filter with auto switch(ICR) | | | | |
| Digital noise reduction | 2D/3D DNR | | | | |
| S/N | >52dB | | | | |
| IR Range | Smart-IR, up to 100m (328ft) IR range | | | | |
| Defog | Digital Defog | | | | |
| WDR | 120dB | | | | |
| Video | | | | | |
| Video Compression | Ultra 265, H.265, H.264, MJPEG | | | | |
| H.264 code profile | Baseline profile, Main Profile, High Profile | | | | |
| Frame Rate | Main Stream: 2MP (1920*1080), Max 60fps; Sub Stream: 2MP (1920*1080), Max 60fps; Third Stream: D1 (720*576), Max 60fps | | | | |
| 9:16 Corridor Mode | Supported | | | | |
| HLC | Supported | | | | |
| BLC | Supported | | | | |
| OSD | Up to 8 OSDs | | | | |
| Privacy Mask | Up to 8 areas | | | | |
| ROI | Supported | | | | |
| Motion Detection | Up to 4 areas | | | | |
| Smart | | | | | |
| General Function | Watermark, IP Address Filtering, Tampering Alarm, Alarm input, Alarm output, Access Policy, ARP Protection, RTSP Authentication, User Authentication | | | | |
| Audio | | | | | |
| Audio Compression | G.711 | | | | |
| Suppression | Supported | | | | |
| Sampling Rate | 8KHZ | | | | |
| Storage | | | | | |
| Edge Storage | Micro SD, Up to 256GB | | | | |
| Network Storage | ANR | | | | |

| Network | |
|------------------------|--|
| Protocols | IPv4, IGMP, ICMP, ARP, TCP, UDP, DHCP, PPPoE, RTP, RTSP, RTCP, DNS, DDNS, NTP, FTP, UPnP, HTTP, HTTPS, SMTP, 802.1x, SNMP, QoS |
| Compatible Integration | ONVIF (Profile S, Profile G, Profile T), API |
| Interface | |
| Audio I/O | Audio cable |
| | 1 Input: impedance 35k Ω ; amplitude 2V [p-p] |
| | 1 Output: impedance 600 Ω ; amplitude 2V [p-p] |
| Alarm I/O | 2/1 |
| Serial Port | 1 RS485 |
| Network | 1 RJ45 10M/100M Base-TX Ethernet |
| Video Output | 1 BNC, impedance 75 Ω ; amplitude 1V [p-p] |
| General | |
| Power | AC 24V \pm 25%, DC 12V \pm 25%, PoE (IEEE 802.3at) |
| | Power consumption: 13.7W |
| Dimensions (L x W x H) | 305.5 x 104.1 x 97.3mm (12.0" x 4.1" x 3.8") |
| Weight | 1.65kg (3.6lb) |
| Working Environment | -40 $^{\circ}$ C ~ 60 $^{\circ}$ C (-40 $^{\circ}$ F ~ 140 $^{\circ}$ F), Humidity: \leq 95%RH (non-condensing) |
| Ingress Protection | IP67 |
| Reset Button | Supported |

Dimensions



Royal Engineering Consultancy Pvt. Ltd
 Web: <https://royalshield.in>
 Email id : sales@royalshield.in
 Mob No. 8377948862